

If possible the connections on site have to be made at the right hand side of the machine.

The dimensions in brackets are valid for 700 mm deep tables.

* Minimum table length



All connection works have to be executed according to local regulations.

3a	Connection for equipotential bonding on site	
3	Electrical connection 400V/3/N/PE/50Hz 7,7 kW with hot water connection $\geq 40^{\circ}\text{C}$ 13,7 kW with cold water connection (with reinforced boiler heating)	executed with appr. 2.5 m connection cable, main switch and main fuses on site.
2	Water connection 3/4"BSP max. 60°C min.3 max.6 bar flow pressure approx. 30 l/min throughput	executed with 1,5 m flex. connection hose stop valve and fine filter on site.
1	Drain connection HT-pipe DN 50	waste trap required on site: gravity drain.

Line drawing

Subject to technical alterations

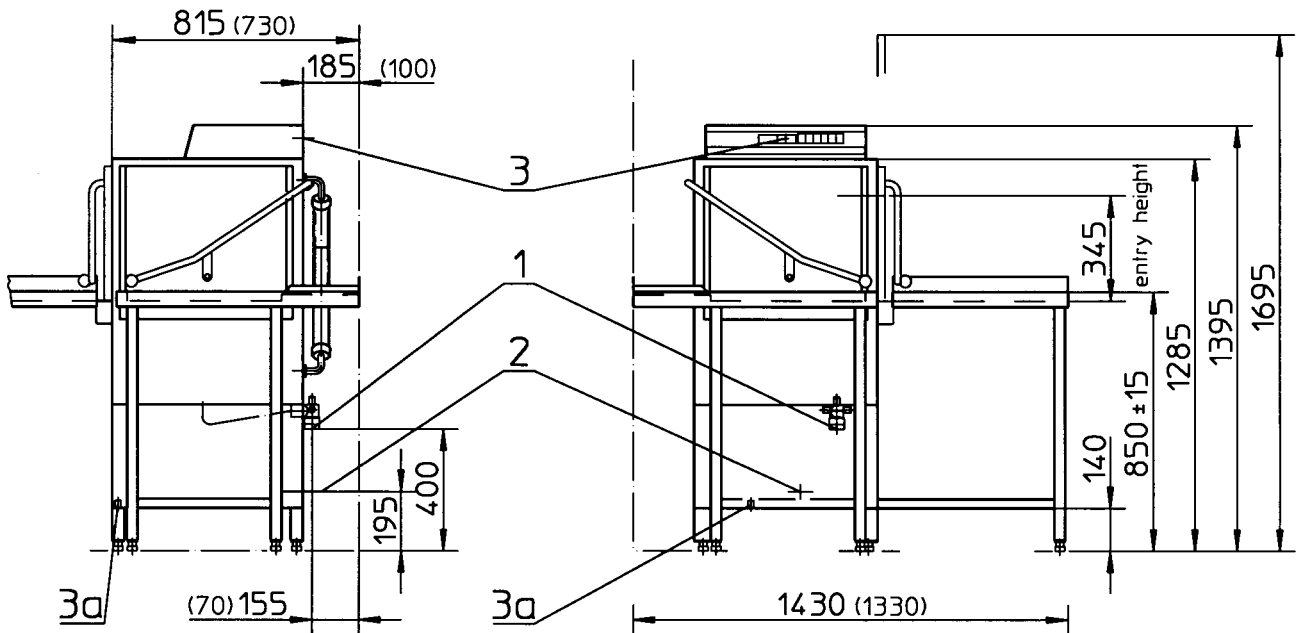


Dishwashing machine GS 41/4

890007234 02

22.02.95

drawn 22.02.95 kem

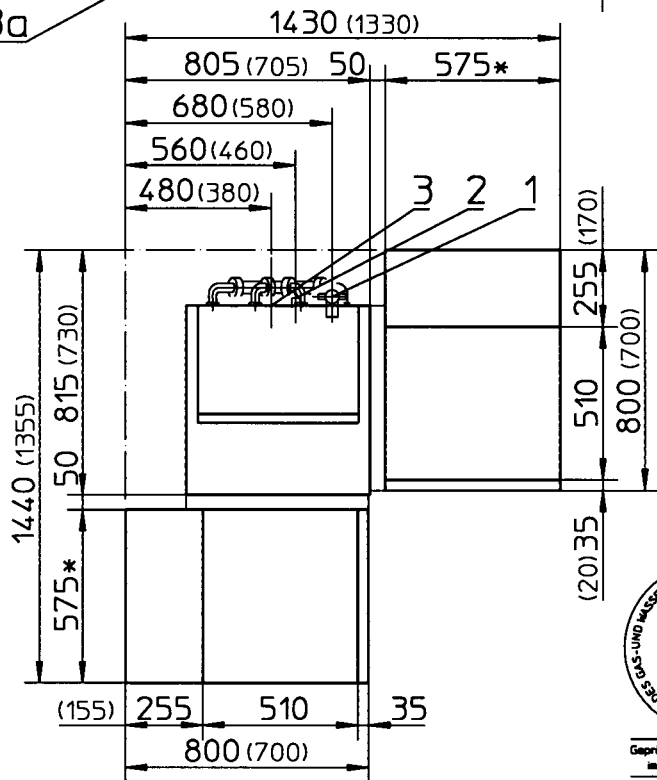


If possible the connections on site have to be made at the right hand side of the machine.

The dimensions in brackets are valid for 700 mm deep tables.

* Minimum table length

All connection works have to be executed according to local regulations.



3a	Connection for equipotential bonding on site	
3	Electrical connection 400V/3/N/PE/50Hz 7,7 kW with hot water connection $\geq 40^{\circ}\text{C}$ 13,7 kW with cold water connection (with reinforced boiler heating)	executed with appr. 2,5 m connection cable, main switch and main fuses on site.
2	Water connection 3/4"BSP max. 60°C min.3 max.6 bar flow pressure approx. 30 l/min throughput	executed with 1,5 m flex. connection hose stop valve and fine filter on site.
1	Drain connection HT-pipe DN 50	waste trap required on site: gravity drain.

Line drawing

Subject to technical alterations

winterhalter

Dishwash. mach. GS 41/4 corner

890007254 03

09.03.95

drawn

09.03.95 kem