



# GLOBAL-TEK

## UNDERCOUNTER GLASS/DISH WASHER GT-U1

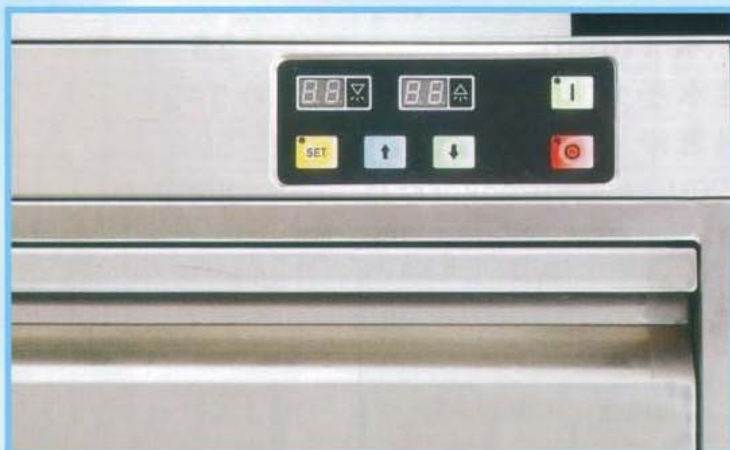
### SAFE & EASY OPERATION

- Easy Operated Digital Panel
- High Temperature Rinsing  
Ensures Glasses/Dishes Sanitized
- Magnetic Switch Provides Safe Operation
- Full Rack Design Gives Maximum Efficiency
- Digital Temperature Display
- Built-in Detergent Injection Point
- Built-in Hydraulic Rinse Additive Injector Reduces Dispensing Equipment Cost



### ASSURANCE ON CLEANING & SANITIZING RESULTS

- Imported German Wash Pump
- 12 second Rinse Time Ensure Maximum Rinsing Effect
- Stainless Steel Wash and Rinse Arms Provide Full Coverage of Wash and Rinse Effect
- 2.8Kw Wash Tank Heater and 5Kw Booster Heater Ensure Temperature Consistency





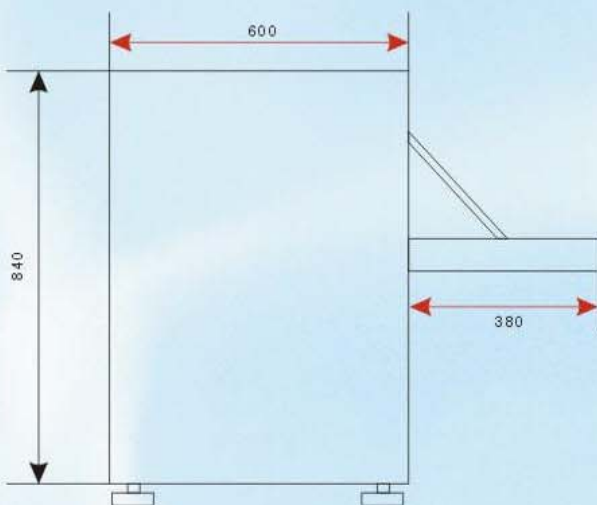
# GLOBAL-TEK

## UNDERCOUNTER GLASS/DISH WASHER GT-U1



### SPECIAL DESIGN & STRUCTURE

- Selectable Wash Cycle 90/120/180 Seconds for Different Tableware and Soil Levels
- Full Rack Size Provides Higher Cleaning Efficiency
- Adjustable Wash & Rinse Temperature
- “Beep” Sound Signals End of Wash Operation



Dimension (WxDxH)mm	600×600×840
Selectable Wash Cycle	90/120/180 seconds
Maximum Wash Speed	40 Racks/hour
Maximum Wash Height	310mm
Rack Size	500×500mm
Heating Mode	Electric Heating
Wash Tank Capacity	29.7 liters
Power Source	10 Kw 380V/50Hz/3ph 20 Kw 380V/50Hz/1ph
Power of Wash Pump(HP)	0.7
Wash Tank Heater(Kw)	2.8
Booster Heater Capacity	8.2 liters
Booster Heater (Kw)	5
Factory Set Rinse Time	12 seconds
Water Consumption Per Rack	2.2 liters
Max Water Consumption/hr	132 liters
Feed Water Temperature	40-60°C
Inlet Pipe Diameter	19mm
Discharge Pipe Diameter	25mm
Net Weight	50 kg

### GLOBALTECH HYGIENE SDN BHD

120, Jalan PP 1/4, Taman Putra Prima, 47100 Puchong, Selangor Malaysia.  
Email: enquiry@global-tek.com.my Website: www.global-tek.com.my